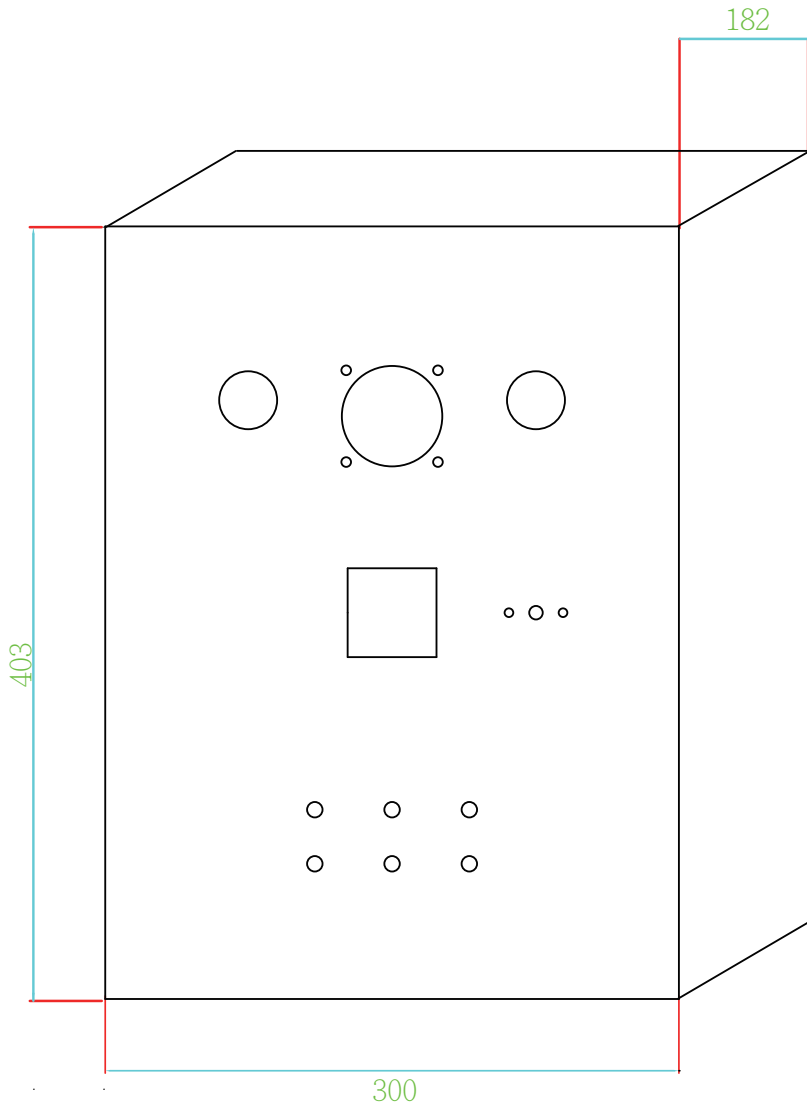
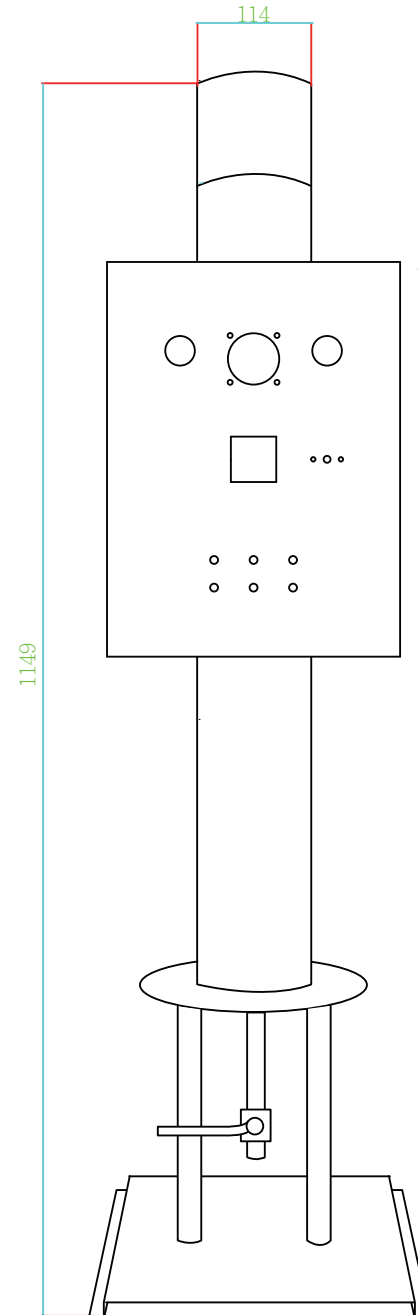


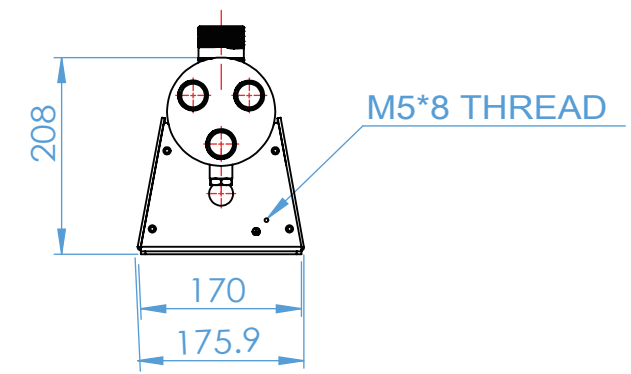
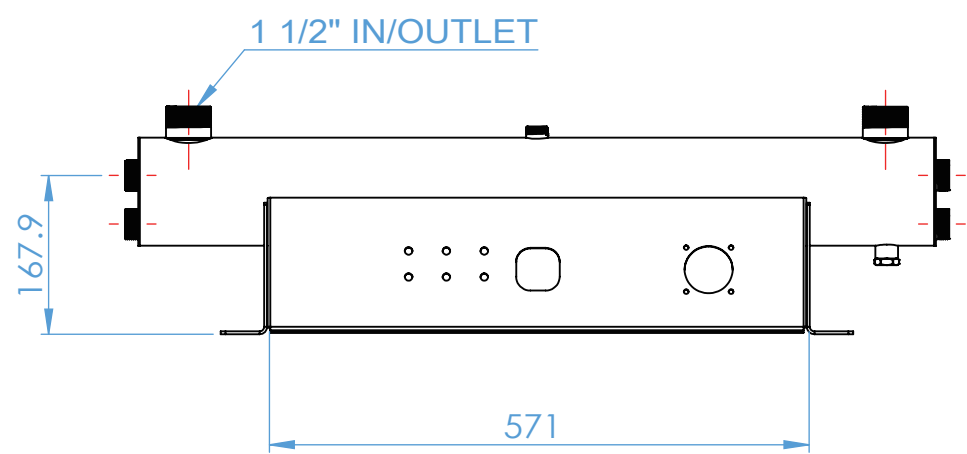
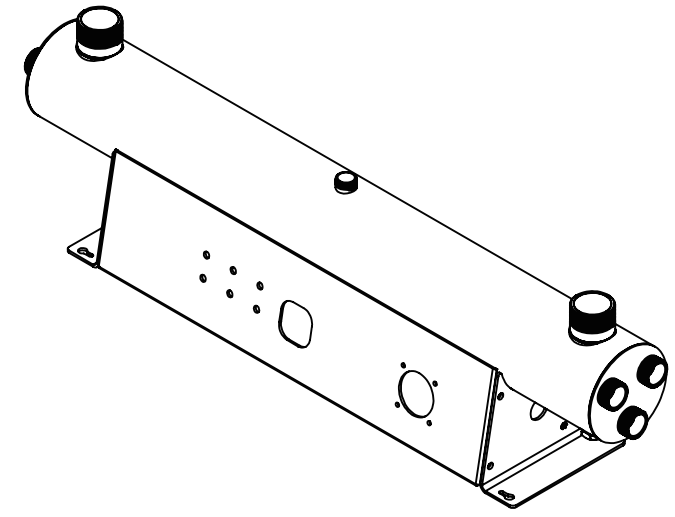
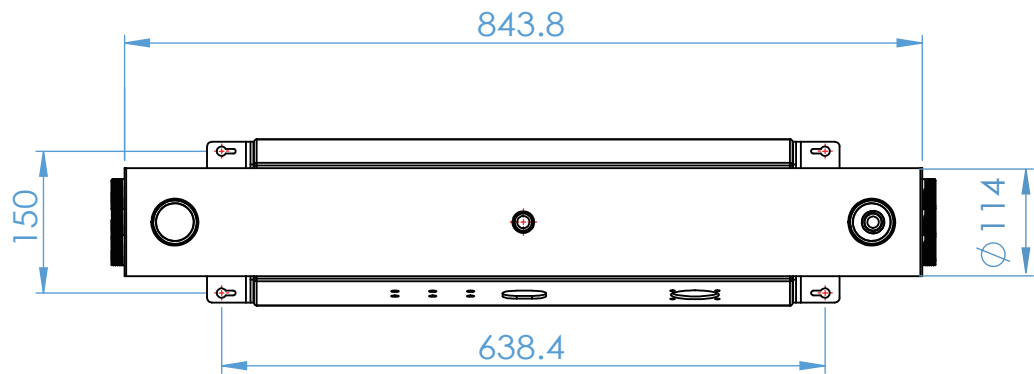
CONTROL BOX : W300 x D182 x H403 mm



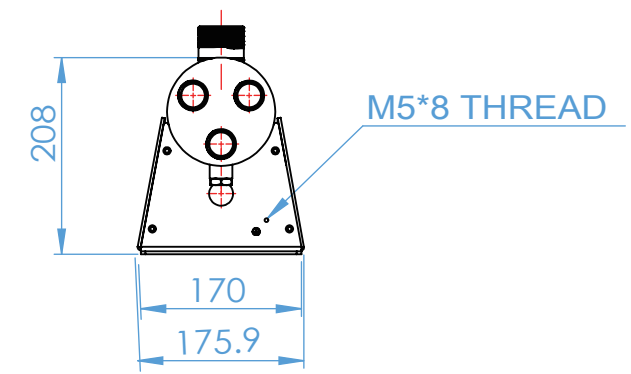
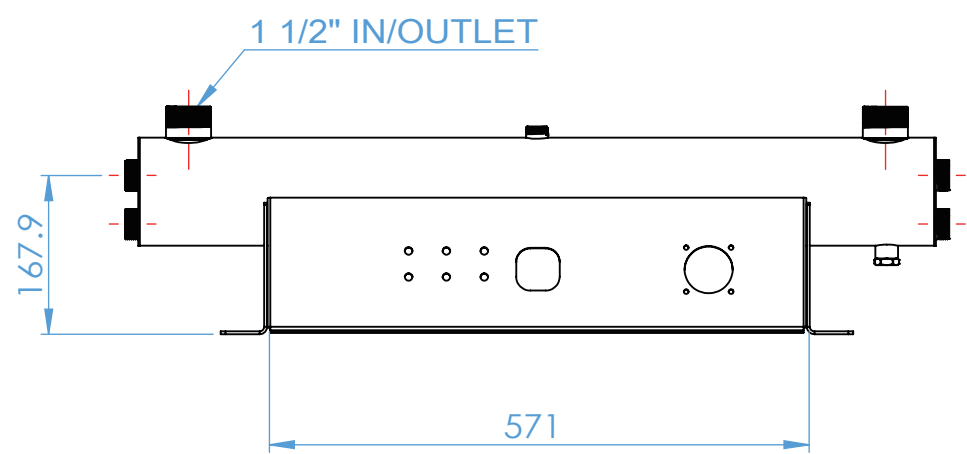
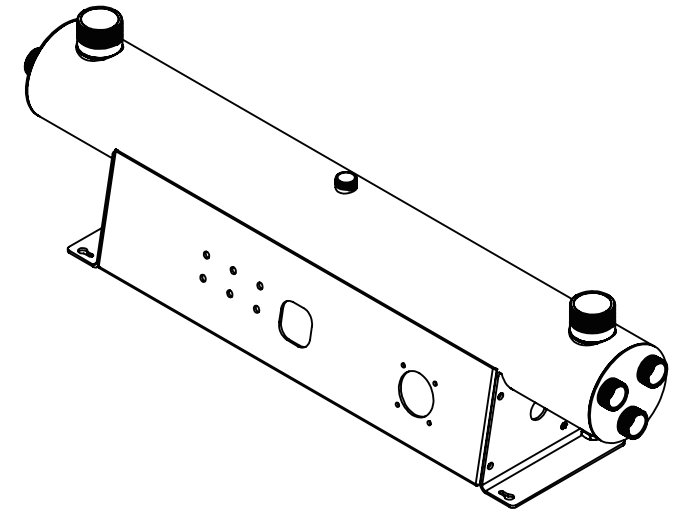
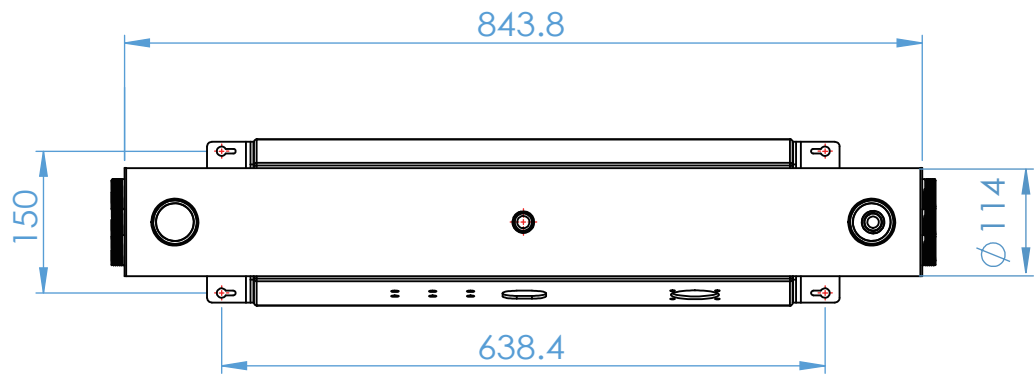
UV CHAMBER DIA. 114 mm  
OVERALL HEIGHT 1149 mm



UV-36GPM-VTM



<b>AQUA</b> <sup>®</sup> <b>PRO</b>	MODEL	UV36GPM-HTM	SCALE	1 : 8
	MATERIAL	SUS 304	UNIT	mm
	SURFACEL		VERSION	A
	DATE		DRAWING NO.	



<b>AQUA</b> PRO®	MODEL	UV36GPM-HTM	SCALE	1 : 8
	MATERIAL	SUS 304	UNIT	mm
	SURFACEL		VERSION	A
	DATE		DRAWING NO.	